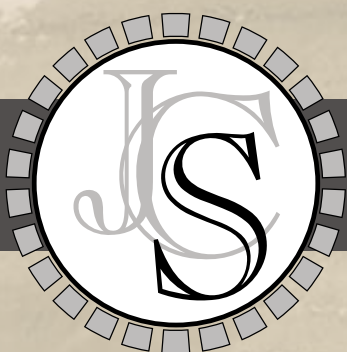



KotKurb S 220 B (Short Break) First European cutting truck



**Quick, clean, professional,
cost effective method with KotKurb.
(Can also be mounted on a existing truck)**



J-C. S. Sciage SA - 1616 Attalens
www.sciage-forage-beton.ch - Tél. 021 947 48 58 - Fax 021 947 33 30

Developed by  for indispensable cutting accesory

KotKurb S 220 B (Short Break) First European cutting truck

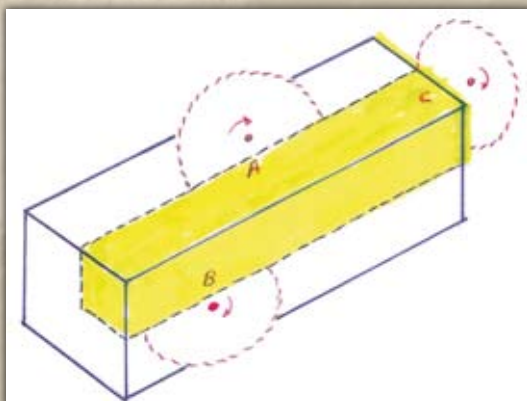
Principal features

- Excellent profitability
- Minimal manpower requirements
- Works quickly and accurately
- Minimal supervision required
- Accurate cost control
- Daily evaluation of profits
- Operating costs largely independent of inflation
- Can work every day, regardless of weather condition, above freezing temperature

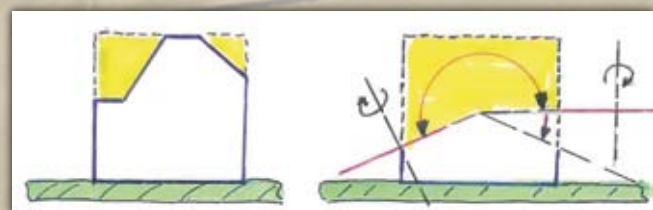


Technical details

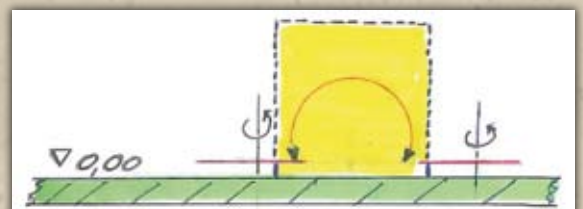
- Welded tubular construction
- Equipment totally hydraulic
- All hydraulic components from recognised makes
- Machine completely self-contained
- All controls centrally located (1 man)
- All track supports independently controlled
- Track distance from either end of truck can be set independently
- Rotation of the main track: 220 degree
- Elevation of the wings: 90 degree with main track
- Side dumper to dispose waste materials
- Hydraulic generator for electric tools
- Already tested on millions linear feet across Canada and United States



Cutting length without moving the truck :
 A - Vertical 600 cm
 B - Horizontal 600 cm
 C - Perpendicular 90cm



Rotation of Head 220°



Cutting from ground zero

Applications

- Remodelling of the edge of sidewalk
- Parapet wall cutting
- New driveway entrances
- Angle cutting for entrance in curb where asphalt is already existing
- Correction of improperly poured parapet wall
- Sidewalk cutting for car entrance
- Wheel chair ramp on sidewalk



J-C. S. Sciage SA
1616 Attalens

www.sciage-forage-beton.ch

Tel. 021 947 48 58

Fax 021 947 33 30

KotKurb S 220 B (Short Break) **First European cutting truck**

We have the solution for you !

*The following machines are also available
Already largely in action throughout USA and Canada
(Can also be mounted on a existing truck)*



CD 60



T 24



TA 6

and the new V 18

*We are able to manufacture the machine
for each particular job at fixed price.*

Brevets

- | | | | |
|---|---|---|---|
| <input checked="" type="checkbox"/> 1172140 | <input checked="" type="checkbox"/> 1253420 | <input checked="" type="checkbox"/> 1297387 | <input checked="" type="checkbox"/> 2061275 |
| <input checked="" type="checkbox"/> 2236811 | <input checked="" type="checkbox"/> 433871 | <input checked="" type="checkbox"/> 4792190 | <input checked="" type="checkbox"/> 4832412 |
| <input checked="" type="checkbox"/> 5230270 | <input checked="" type="checkbox"/> 5421669 | <input checked="" type="checkbox"/> 6158817 | |



J-C. S. Sciage SA
1616 Attalens

www.sciage-forage-beton.ch

Tel. 021 947 48 58

Fax 021 947 33 30